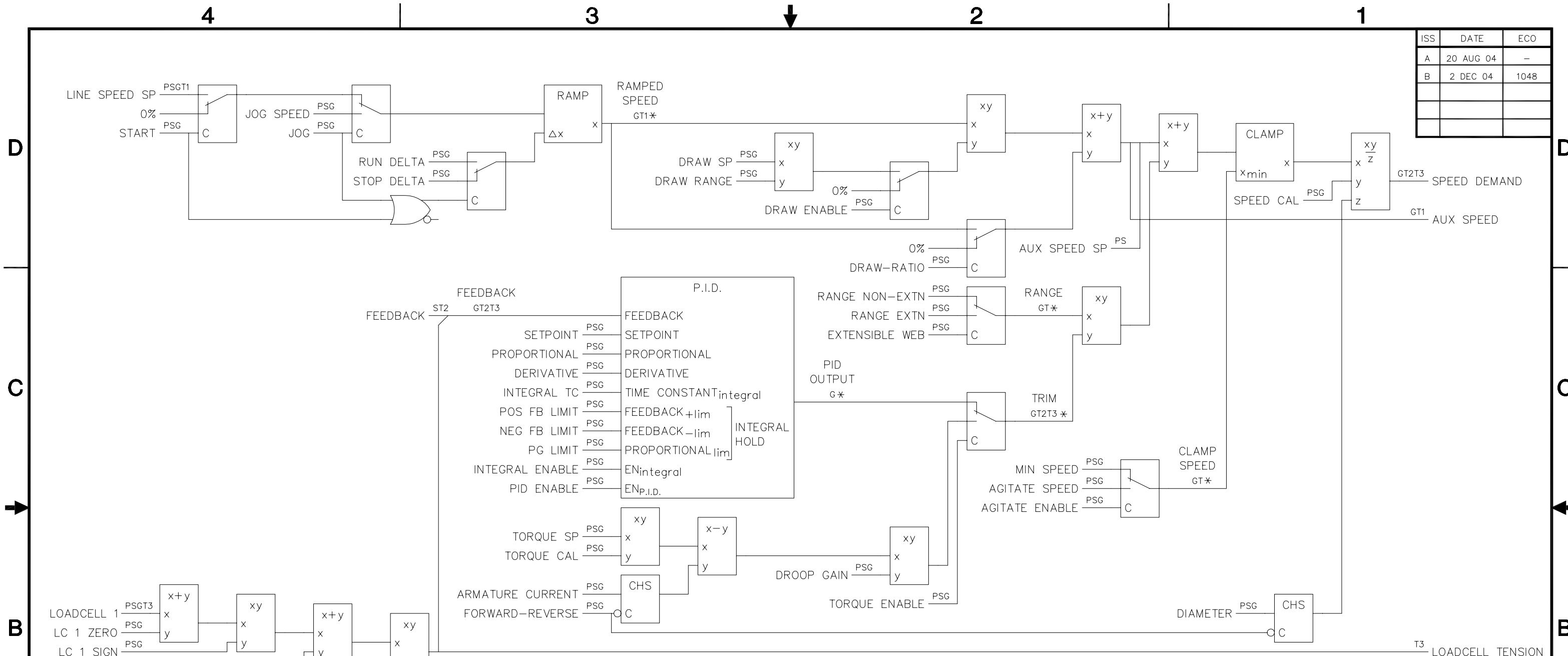


ISS	DATE	ECO
A	20 AUG 04	-
B	2 DEC 04	1048



GENERAL NOTES:

- THIS DIAGRAM DEPICTS THE RELATION OF LINK FUNCTION BLOCK DATA VARIABLES AND OPERATIONS. NAMED VARIABLES MAY POSSESS ONE OR MORE OF THE FOLLOWING ATTRIBUTES AS NOTED:
 PRESET (P) – THE VARIABLE MAY BE PRESET DURING CONFIGURATION.
 SET (S) – THE VARIABLE MAY BE CONNECTED AS AN INPUT AND MAY BE ASSIGNED A TEST POINT DURING CONFIGURATION. THE VARIABLE MAY BE MODIFIED BY SAM IN SPECIAL MODE OR IF A TEST POINT WAS ASSIGNED.
 GET (G) – THE VARIABLE MAY BE ASSIGNED A TEST POINT DURING CONFIGURATION. THE VARIABLE MAY BE EXAMINED BY SAM IN SPECIAL MODE OR IF A TEST POINT WAS ASSIGNED.
 CLOCKED (C) – THE VARIABLE IS DETERMINED AT A SPECIFIED CLOCK RATE.
 TRIGGERED (T OR Tno.) – THE VARIABLE IS DETERMINED UPON ANY PRECEDING VARIABLE EVENT OR UPON A SPECIFIC INPUT VARIABLE EVENT IDENTIFIED BY NUMBER.

* THIS VARIABLE IS AVAILABLE FOR DIAGNOSTICS (GET) ONLY.

<p>PARKER HANNIFIN CORP. SSD DRIVES DIVISION 9225 FORSYTH PARK DRIVE CHARLOTTE, NC 28273 TELEPHONE: 704-588-3246 FAX: 704-588-3249</p>	PROPRIETARY INFORMATION Do not copy, trace, alter or duplicate design content without obtaining approval from the design authority Parker Hannifin Corp., SSD Drives Div.	DWN H. PRUNER 20 AUG 04	S.O. -	-	SIZE B	DWG NO	RF355291B	
		CHK C. WANTA 20 AUG 04	CUS -	LINE DRIVE SECTION CONTROL	ISSUE A/B			
		APP -	P.O. -	LINK FUNCTION BLOCK DATA FLOW DIAGRAM	SCALE	-	SHEET	1 OF 1
		EDIT	LOC -					