

Objective

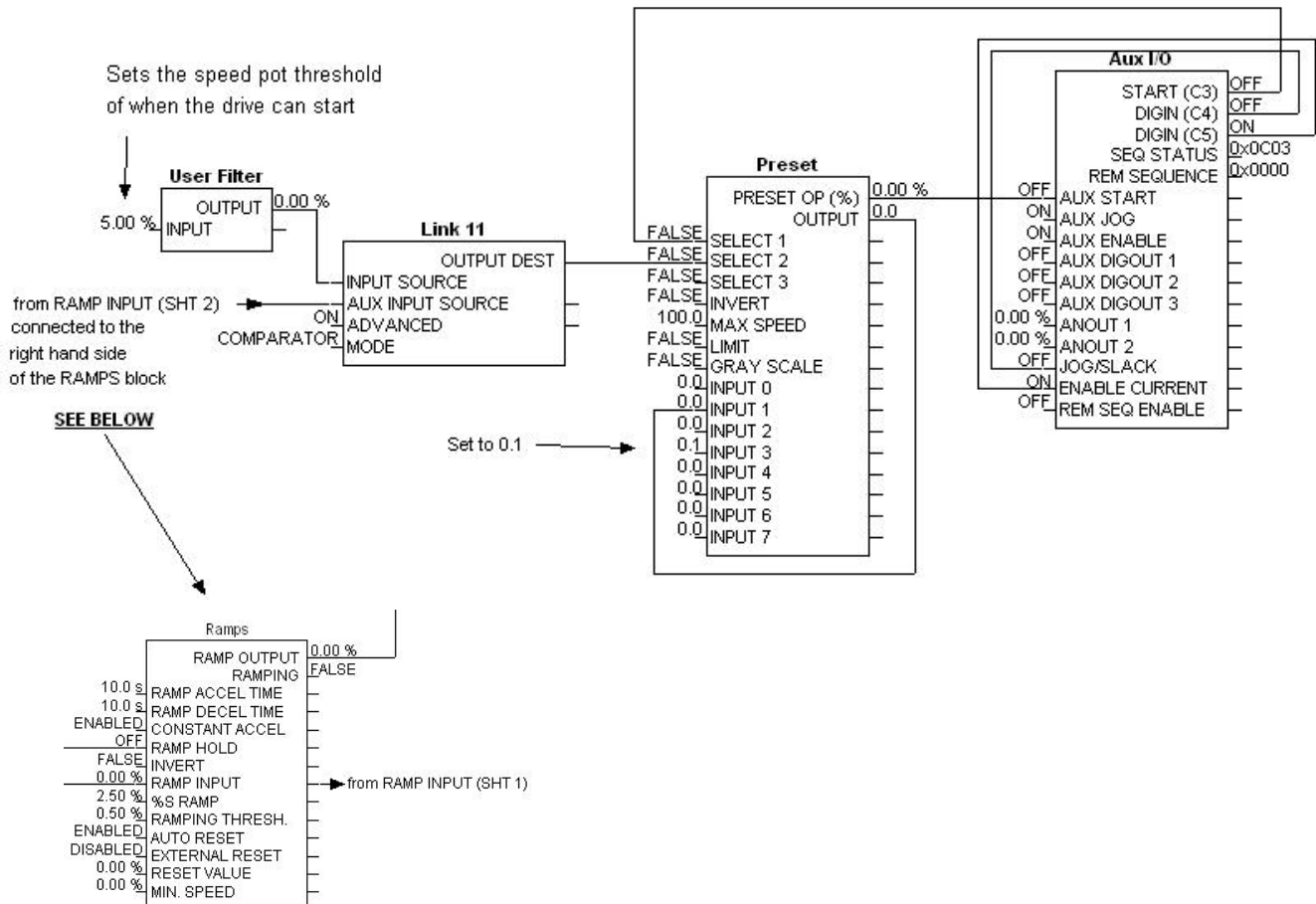
To configure a 590+ drive so the drive will not start until the speed pot is turned to a zero position.

Equipment

A 590+ drive with a firmware version of 7.x or greater and the software DSELite.

Procedure

- Using DSELite and the “default7.590” template, configure the drive as shown below. These changes must be added to a default template.
- Adjust the USER FILTER || INPUT parameter for the threshold level of where the speed pot must be positioned, before the drive will start. Once the speed pot is below this threshold, the drive will start and the speed pot can be adjusted for the desired speed.



If you have questions, please call the Product Support Group at (704) 588-3246.