

Objective

Configure the DC drive to use a Digital Input to select between two separate Analog Inputs.

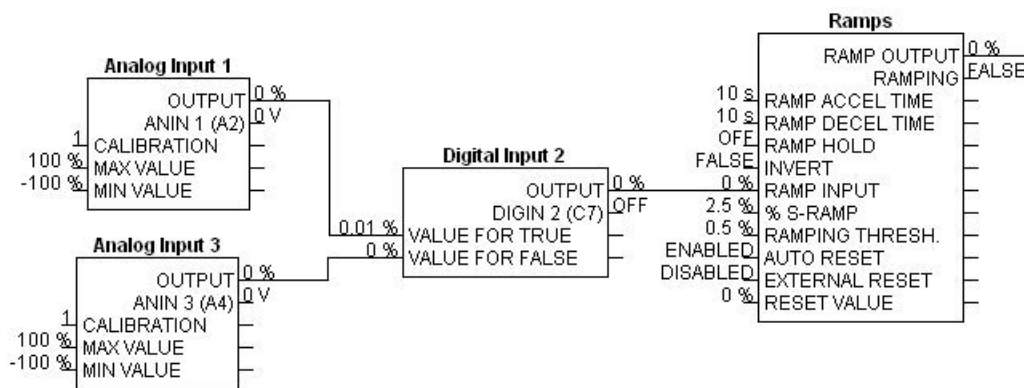
Equipment

590 / 590+ Series DC drive and a computer with DSELite installed.

Procedure

1. Launch DSELite on the computer.
2. Under **File|New**, open up the default configuration of the drive you have, (example: default8.590). Ensure that the name on the lower left corner matches the drive you are working on.
3. Using a free *Digital Input* and *Analog Input*, configure the template as shown below.

24 VDC on Digital Input = Analog Input 1
0 VDC on Digital Input = Analog Input 3



If you have questions, please call the Product Support Group at (704) 588-3246.