

Objective

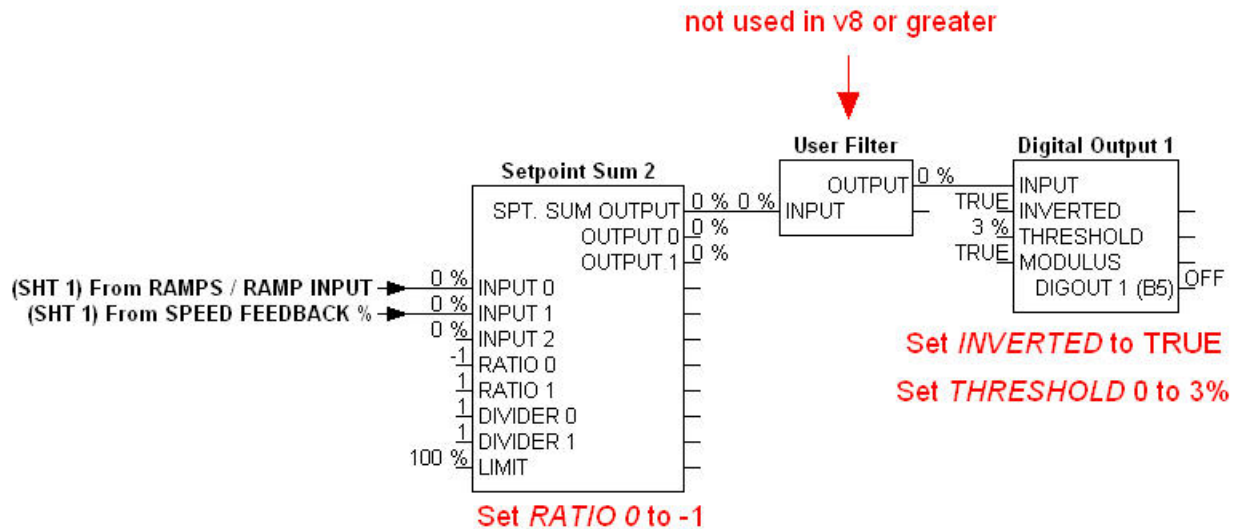
To configure the 590 or 590+ drive to indicate “at speed”.

Equipment

590 / 590+ DC drive firmware version (> 3.2) , computer with the software DSELite.

Procedure

1. Launch DSELite.
2. Under **File::New**, open up the default configuration of the drive you have; (example: default8.590). Ensure that the name on the lower left corner matches the drive you are working on.
3. Using DSELite configure the drive as shown below. Use any free Digital Output
4. The *User Filter* must be used as shown (on drive firmware version 7 or less), to ensure proper triggering of the function blocks. Drives using firmware version 8 or greater, do not need or have this *User Filter*.
5. Set the *THRESHOLD* % to the desired level.
6. Digital Output will go True, when the Speed Demand and the Speed Feedback are within the *THRESHOLD* % setting. Thus if the Speed Demand is 50%, and the *THRESHOLD* % is 3%, the Digital Output will go true when the Speed Feedback is in the range of 47% - 53%.



If you have questions, please call the Product Support Group at (704) 588-3246.