

## TECHNICAL SPECIFICATION

### Performance

Power supply: 230V +10% -15%, 50-60Hz

### Bridge supply

Power stability: 230V +10% -15% will give less than 0.02% change in output voltage

Bridge excitation: 6V or 10V /70mA selectable

Temperature stability: 20ppm/°C

### Input

Range: 0-10mV to 0-10V  
selectable in 19 steps

### Output 1

0-10V  
Summing amplifier for external  
0-±10V summed to output 1.

### Output 2

Range selectable: 0-20mA or 4-20mA

### Meter indication output

0-1mA unfiltered/filtered selectable

### Enclosure

Two alternatives: IP20 standard single rack  
IP54 die cast Alu-box, EMC-proof

Ambient temperature: 0-50°C

Weight: IP20 1.2 kg  
IP54 1.65 kg

### Trouble shooting

The instrument is provided with a socket, for the possibility to connect a diagnostic instrument with 17 testpoints.

# Strain Gauge Signal Conditioner

## Amplifier for loadcells and pressure transducers

The prime function of the strain gauge signal conditioner is to convert a dc signal from a strain gauge bridge (e.g. loadcells or pressure transducers) into a high level signal.



IP54



IP20



## STANDARDS

The 2PTR2 meets the following standards when installed in accordance with the relevant product manual.

EMC	EN61326-1:1997
	EN61326/A1:1998
LVD	EN61010-1:1993 /A2:1995
	EN61010-1/A2:1995

---

**INPUT OPTIONS: 0-10mV TO 0-10V**

---

**VOLTAGE OUTPUT 1: 0-10VDC**

---

**CURRENT OUTPUT 2, OPTIONS: 0-20mA, 4-20mA**

---

**SEPARATE OUTPUT FOR INDICATION**

---

**EXCITATION VOLTAGE OPTIONS: STANDARD 6VDC OR 10VDC OR TO CUSTOMER'S SPECIFICATION**

---

**POSSIBILITY TO CONNECT A DIAGNOSTIC UNIT**

---

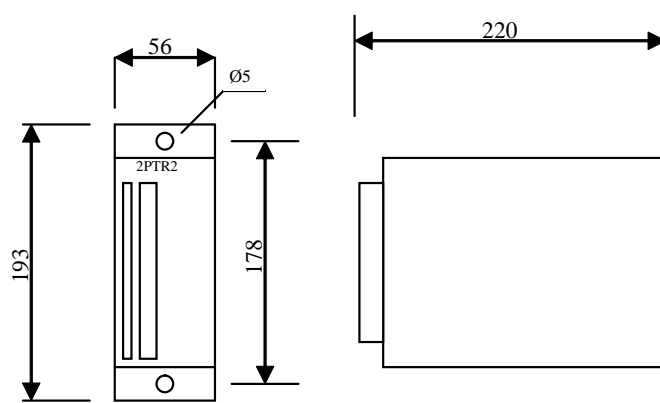
# 2PTR2

## ORDERING CODE

OPTIONS		ORDERING CODE
IP20	IP20 enclosure	2PTR2-IP20
IP54	IP54 enclosure	2PTR2-IP54

## DIMENSIONS

### IP20 enclosure



### IP54 enclosure

